

PRINTED CATALOGUE



WEBSITE LINK

[/ products / ZINLUX luminaires / urban lighting](#)

PRODUCT NO:

DESCRIPTION:

IMAGE



ZINLUX
MIRAGE LED

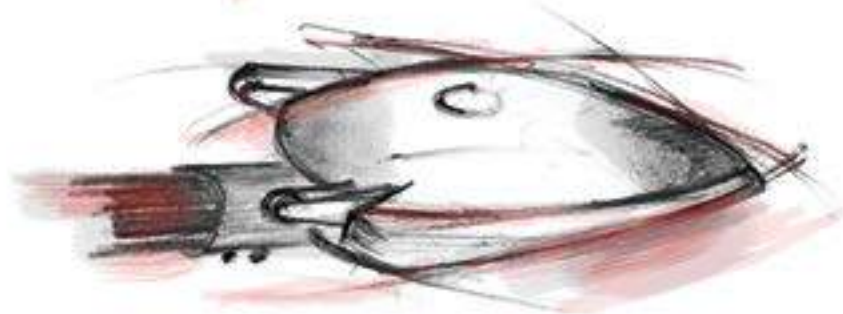
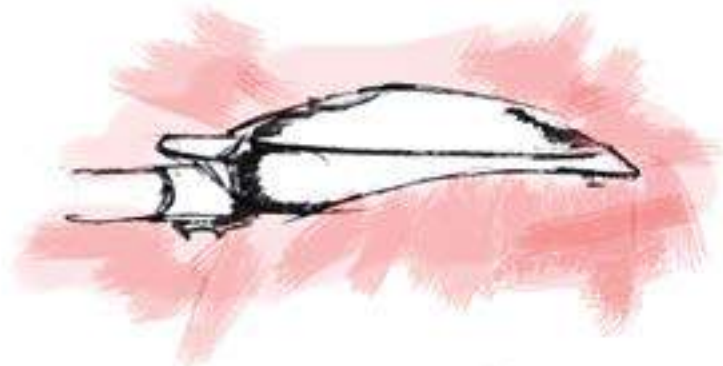


ZINCOMETAL S.A. is constantly developing and improving its products. For this reason, all product descriptions in this catalogue are intended as a general guide, and we may change specifications from time to time in the interest of product development, without prior notification or public announcement. Regarding the validity of the International Standards it is considered always the oldest edition.

Stay tuned with the company by signing up in ZINCOMETAL's Newsletter (www.zincometal.gr) and Social Media.

1.1.1. ZINLUX Mirage LED Product family MIRAGE

ZINLUX Mirage LED
Straight and Curved Harmony



Concept Sketches of ZINLUX
MIRAGE -L & MIRAGE-M LED.



Image 1

Modern architecture ZINLUX
Mirage LED luminaire in
combination with decorative
pole of round conical section
and decorative bracket
BP 123 from
ARMONIA Collection

**Image 2**

Modern architecture ZINLUX
Mirage LED luminaire



Image 3

Lighting the central boulevard of Kilikis municipality by using ZINLUX Mirage LED luminaire with decorative conical steel lighting pole of circular cross - section (14mm/m) and decorative bracket from ARMONIA Collection in combination with decorative die - cast aluminium base

**Image 4**

Side view of ZINLUX Mirage-S luminaire



Image 5

Side view of
ZINLUX Mirage-M luminaire

**Image 6**

Side view of
ZINLUX Mirage-L luminaire



Introduction The design of ZINLUX MIRAGE luminaire is attracted from the shape of a racing car. Its aerodynamic shape, its curves that are perfectly conformed with the modern road environment and lighting system which offers glare light that is matched with the simple and strict style of today's cutting edge technology and aesthetic result.

Application The luminaire is ideal for street lighting for roads & highways and urban lighting applications such as squares and pedestrian areas, parks, urban roads and streets etc.

Technical features Body & Cover made of die-cast aluminium. The luminaire ZINLUX MIRAGE LED based on the external diamensions can be divided in three categories Mirage-S (520x250x130mm), Mirage-M (620x295x152mm) and Mirage-L (825x360x175mm).

Polyester powder coating for resistance to corrosion and for optimum protection against harsh environments and seaside areas.

Diffuser tempered glass of flat form, 4mm thickness, featured by high transparency, resistant to impact and thermal shock. It's sealed with silicone rubber gasket.

The innovative lenses provide optimal optic performance and durability.

The special cooling system (heatsink) is made of high quality aluminium alloy, which helps the effective heat management in order to ensure the proper operation and to maximize the lifetime of LEDs.

The power supply is adjusted in a special removable plate. It has high surge, overheating and overload protection and a choice of 1...10V / DALI dimming interface.

The luminaire has a special breather - valve decompression which prevents the creation of water humidity (condensates) inside the optical drive.

All the electrical connections are done with cables of silicone insulation with high thermal resistance more than 120°C.

The luminaire is equipped with high surge protection of up to 10kV. Option up to 20kV.

There is an option for automatic temperature control NTC-Themistor and an option of a system in which the operation of the LEDs not being interrupted in case of the outage of one of them.

Connection with
the network



For the connection with the network the luminaire has an external flexible cable with high mechanical strength and resistant to weather and UV radiation. Complete with special connector IP66/68 for quick installation (plug n play).

Additional features:

- Waterproof and dustproof protection: IP66
- Mechanical Impact: IK10
- Electrical Insulation: Class II

Power versions

LED 30-180W

The luminaire incorporates leading-edge LED technology.

Correlated Color Temperature(CCT) Color temperature is Neutral White - 4000K.
Possibility of choice of Correlated Color Temperature (CCT) according to customer needs.

Mounting The luminaire due to special bracket can be adjusted with respect to the road surface into five (5) modes with a graduate scale of 5°.
Post-top or side entry mounting $\Phi 60\text{mm}$.

Image 7
Indicative way of Mirage luminaire opening



Maintenance Tool free access for maintenance purpose.

The cover can be opened without tools and hinged upwards. It designed for easy and safe maintenance. During the maintenance the cover stays hooked on by special device to prevent any accidental closure.

In order to have easy maintenance and complete thermal isolation of heat emissions, the compartment of the control gear and all the electrical connections are separated from the optical system. For safety reasons there is also an automatic disconnecting switch, allowing the operator to work in maximum safety.

Colors Cover: Grey aluminium - RAL 9007
Body: Quartz - RAL 7039

Light pollution The ZINLUX Mirage LED luminaire has been designed with "CUT-OFF" system, with its classification of luminous intensity for the limitation of the upward dispersion of light flux.

Regulations - Approvals Manufactured according to European Directives and Standards and has CE, ENEC Certificate.

Additional information:

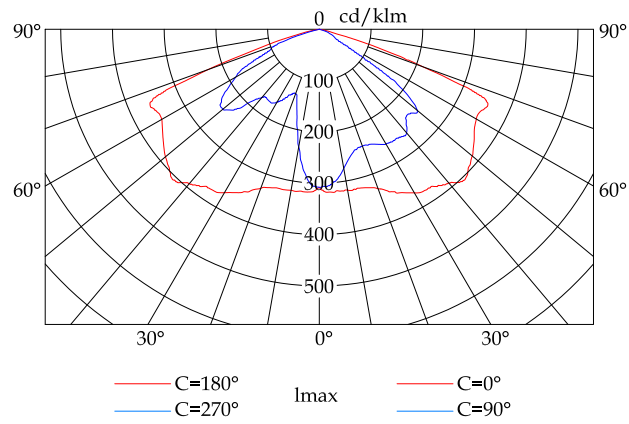
EN 62471 Photobiological safety of lamps and lamp systems
EN 62031 LED modules for general lighting - Safety specifications

Light distribution curve

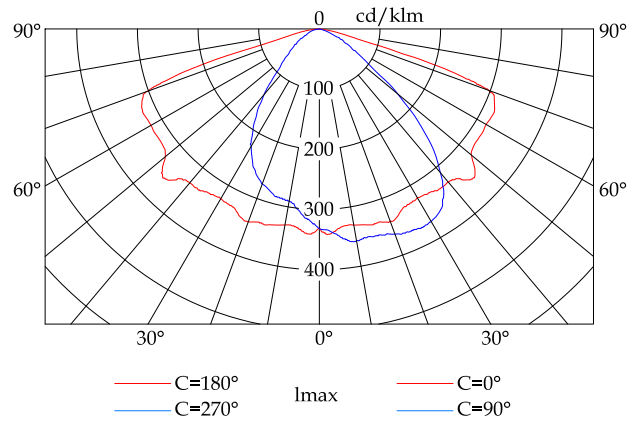
Photometric Reports (Cd/1000lm)

Indicative light
distribution curve

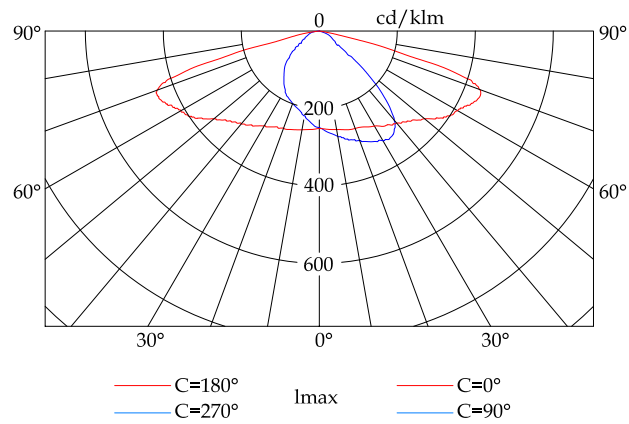
Mirage-S



Mirage-M



Mirage-L

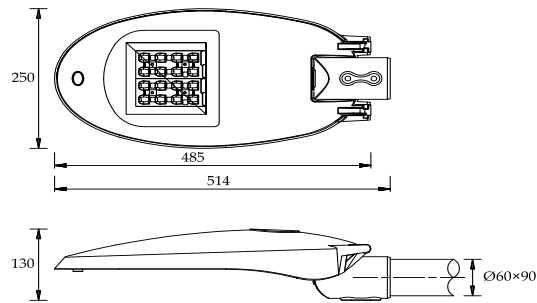


Dimensional drawings

Mirage-S

Gross weight: 4.60kg @ 40W

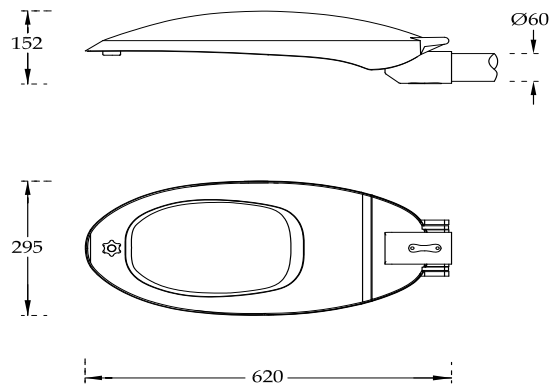
Windage: 0.034m²



Mirage-M

Gross weight: 7.3kg @ 30W-80W, 7.8kg @ 100W

Windage: 0.049m²



Mirage-L

Gross weight: 15kg

Windage: 0.082m²

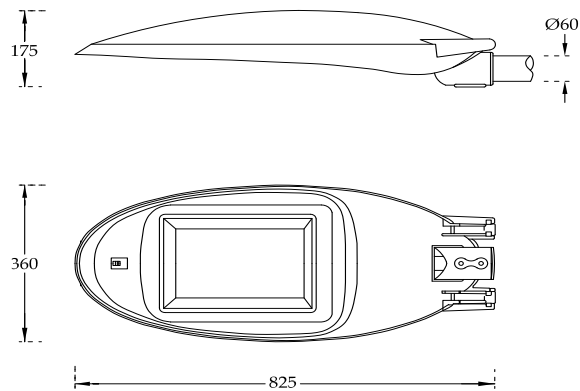


Table of Urban Lighting Luminaires - LED technology

ZINLUX Mirage LED

Code		Rated power	No LED	Luminous flux	Color temperature	Ideal for poles
		W	pcs.	LED flux (Lm @ $T_j=25^{\circ}\text{C}$) ¹	K	m
Mirage-S	L- MIRAGE-S/LD	30	16	3807	4000 (Neutral White)	3.00-5.00
		40		5621		
Mirage-M	L- MIRAGE-M/LD	30	24 - 48	4470	4000 (Neutral White)	4.00-5.00
		40		5893		5.00-6.00
		60		7627 - 8940		6.00-7.00
		80		10174 - 11604		7.00-9.00
		100		13565		
Mirage-L	L- MIRAGE-L/LD	100	56 - 98	14273 - 14460	4000 (Neutral White)	7.00-9.00
		120		15260 - 17190		9.00-10.00
		150		19782 - 20634		10.00-12.00
		180		24070		12.00

¹Rated data from LED manufacturer datasheet.

Additional data

Rated voltage: 220-240V AC, Input frequency: 50/60Hz, LED source efficacy: 158 lm/W @ 350mA, $T_j=25^{\circ}\text{C}$, Power factor (ρ): >0.92, THD: <20%, Rated Color Rendering Index $\text{CRI} \geq 70$, Temperature of working conditions: -30°C up to $+60^{\circ}\text{C}$, Humidity of working conditions: 10% - 90%, Rated life: >60000hrs.

Because of rapid technological development of LED, the above information contained in this document may change without notice. They should be confirmed in case of order.

Copyright © 2016 - All rights reserved ZINCOMETAL S.A.
All rights reserved.

Reproduction in whole or in part is prohibited without the prior written consent of the copyright owner. The information presented in this document does not form part of any quotation or contract, is believed to be accurate and reliable and may be changed without notice. No liability will be accepted by the publisher for any consequence of its use. Publication thereof does not convey nor imply any license under patent or other industrial or intellectual property rights.



www.zincometal.gr

Δ. 10ο χλμ. Κιλκίς-Πολυκάστρου
61100 Κιλκίς, τ.θ. 21
AD. 10th km. Kilkis - Polikastro
P.C. 61100 Kilkis, Greece

T. +30 23410 75651-3
+30 23410 71581
F. +30 23410 71734

E. info@zincometal.gr
WEB. www.zincometal.gr

